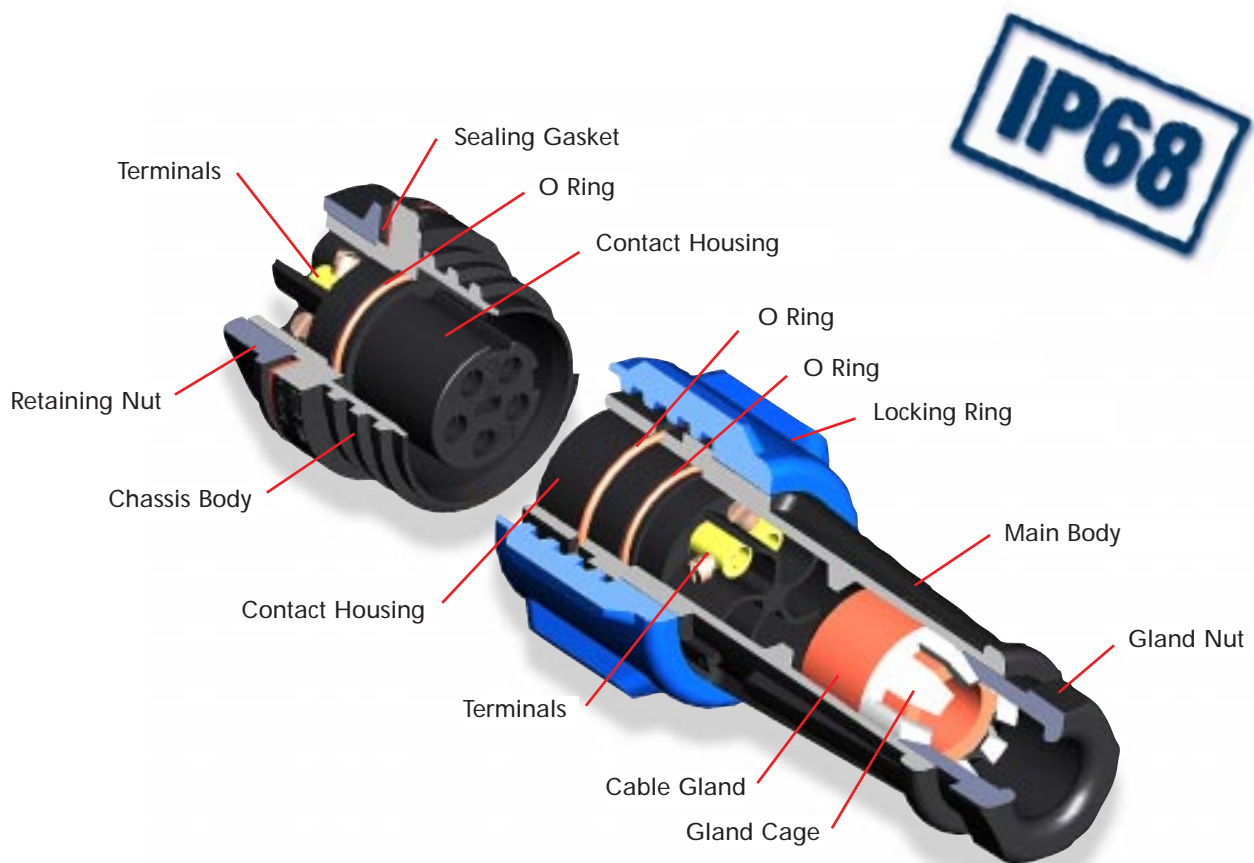


900 Series Buccaneer

Issue date: 11.99

Page 1 of 4

Heavy Duty Sealed Connector System



- 32A, 600V ac/dc current rating
- 2, 3, 4 and 5 pole
- Plug or socket connection in each body style
- Water and dustproof to IP68
- 'Scoop proof' contacts
- Field termination - screw terminations
- Optional internally sealed contacts
- Positive locating keyways - can not be mis-connected
- Sealing caps available to maintain IP68 rating of unmated connectors
- Leading earth contact for 3, 4 and 5 pole versions
- Compact design
- Easy assembly - no special tools required
- Single or 3 phase applications
- Alternative polarisation keyway option allows two connectors with same number of poles to be used safely on the same piece of equipment
- Bulkhead moulding available for use with flange mounting body for 45° or 90° mounting (order each separately)
- Cost effective solution

900 Series Buccaneer

Issue date: 11.99

Page 2 of 4



PX0911/xx/x

- Flex cable connector
- Positive, fast acting locking ring - can be turned with a gloved hand
- Mates with cable or panel mounting styles
- Plug or socket versions



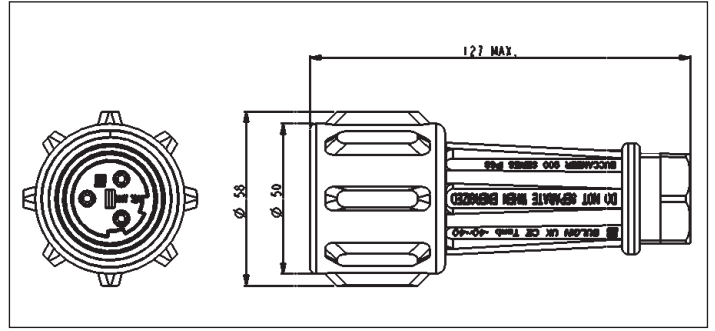
PX0921/xx/x

- In-line flex cable connector
- Mates with PX0911/xx/x connectors
- Plug or socket versions
- 13-15mm cable diameter as standard, 7-13mm with additional gland pack



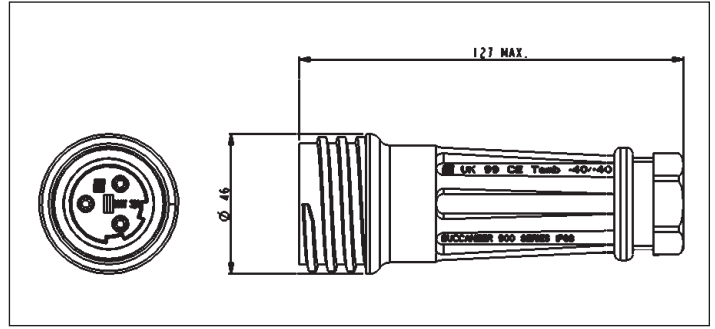
PX0931/xx/x

- Chassis mounting connector
- Anti-rotation keyway
- High grade sealing gasket
- 3-7mm panel thickness



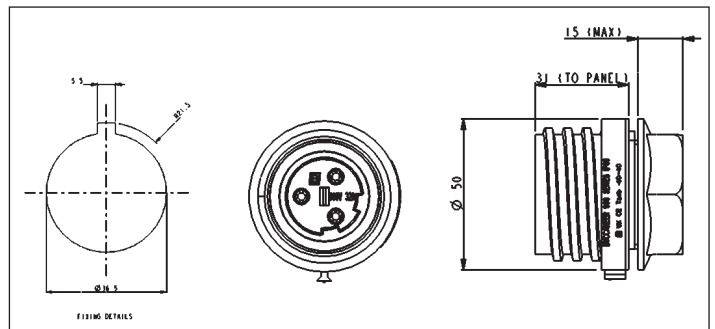
Flex Cable

PX0911/02/P	2 pole Plug	PX0911/02/S	2 pole Socket
PX0911/03/P	3 pole Plug	PX0911/03/S	3 pole Socket
PX0911/04/P	4 pole Plug	PX0911/04/S	4 pole Socket
PX0911/05/P	5 pole Plug	PX0911/05/S	5 pole Socket



In-line Flex Cable

PX0921/02/P	2 pole Plug	PX0921/02/S	2 pole Socket
PX0921/03/P	3 pole Plug	PX0921/03/S	3 pole Socket
PX0921/04/P	4 pole Plug	PX0921/04/S	4 pole Socket
PX0921/05/P	5 pole Plug	PX0921/05/S	5 pole Socket



Chassis Mounting

PX0931/02/P	2 pole Plug	PX0931/02/S	2 pole Socket
PX0931/03/P	3 pole Plug	PX0931/03/S	3 pole Socket
PX0931/04/P	4 pole Plug	PX0931/04/S	4 pole Socket
PX0931/05/P	5 pole Plug	PX0931/05/S	5 pole Socket

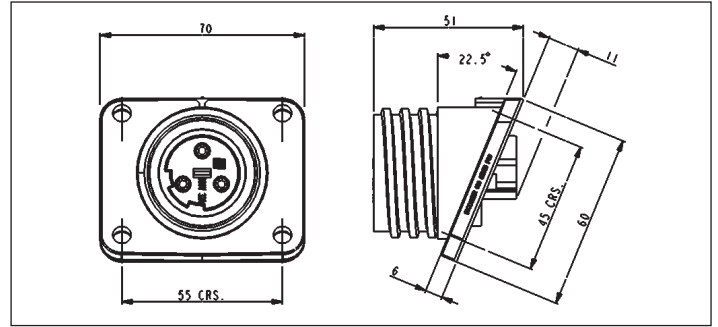
900 Series Buccaneer

Issue date: 11.99

Page 3 of 4



- Flange mounting connector
- Supplied with high grade sealing gasket
- Sealed mounting screw available to maintain IP68 rating to panel

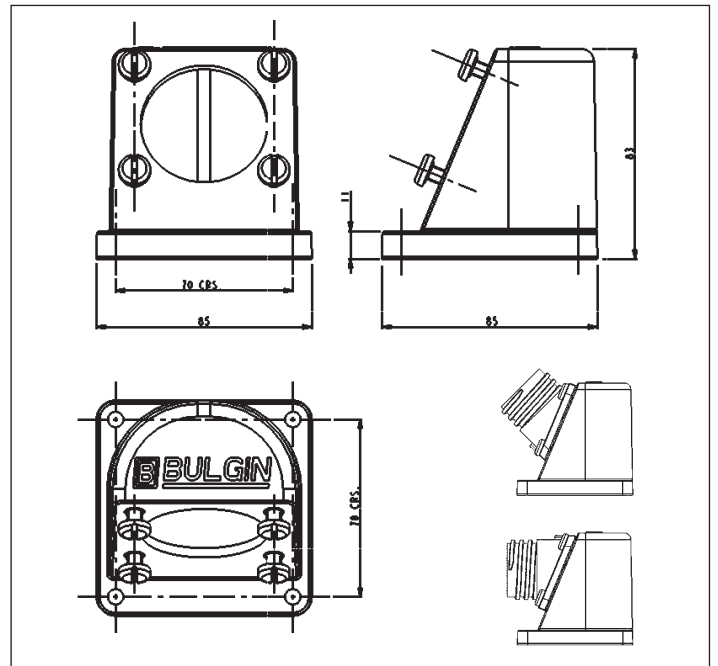


Flange Mounting

PX0941/02/P	2 pole Plug	PX0941/02/S	2 pole Socket
PX0941/03/P	3 pole Plug	PX0941/03/S	3 pole Socket
PX0941/04/P	4 pole Plug	PX0941/04/S	4 pole Socket
PX0941/05/P	5 pole Plug	PX0941/05/S	5 pole Socket



- Additional bulkhead adaptor moulding
- For use with flange mounting connector PX0941, to give 45° or 90° angle
- Supplied with high grade sealing gasket and screws for fixing PX0941/xx/x
- Sealed mounting screw available to maintain IP68 rating to bulkhead



- Sealing caps to maintain IP68 rating of unmated connectors

Accessories

PX0960	Sealing cap for use with PX091x/xx/x
PX0970	Sealing cap for use with all other styles
PX0980	Gland pack for 7-13mm cable sizes

900 Series Buccaneer

Issue date: 11.99

Page 4 of 4

Specification - Provisional data only

Electrical:

Current Rating:	32A, per contact
Voltage Rating:	600V ac/dc, 50/60Hz
Contact Resistance:	<10mΩ (initial)
Insulation Resistance:	>10 ⁶ MΩ (@ 500V dc)
Dielectric strength:	2.2kV ac min
AC Breakdown voltage:	TBA
Operating Temperature Range:	-40°C to +85°C
Approvals:	UL, VDE, BASEEFA (zone II) pending

Material:

Body Mouldings:	Nylon Alloy
Flammibility Rating:	UL94V-0
UV Resistance:	To EN5021-1996
Corrosion Resistance:	To IEC68-2-11:1981
Contacts:	Machined Solid Brass, Nickel plated
O Rings:	Nitrile
Chassis Sealing Gasket:	Silicone Rubber

Mechanical:

Sealing:	IP68, EN60529
Cable Acceptance:	13 - 15mm O/D standard, 7-13mm with gland pack
Contact Accommodation:	2.5 to 4mm ² conductor, single or multi stranded
Termination:	Axial screw terminals
Vibration Test:	To EN60068-2-6:1995
Insertion Force:	TBA
Withdrawal Force:	TBA
Impact Resistance:	To EN50021:1996
Drop Test:	To EN50021:1996
Cable Retention force:	15mm dia, 120N 7mm dia, 80N
Tightening Torques:	
Chassis mount nut	2.25 Nm
Cable gland nut	1.69 Nm
Flange & Bulkhead fixing screws	0.9 Nm

Dimensions:

Overall dimensions of connectors when mated together

PX0911 + PX0921	230 mm max.
PX0911 + PX0931	135 mm max. (to panel)
PX0911 + PX0941	145 mm max. (to panel, mid point on flange)